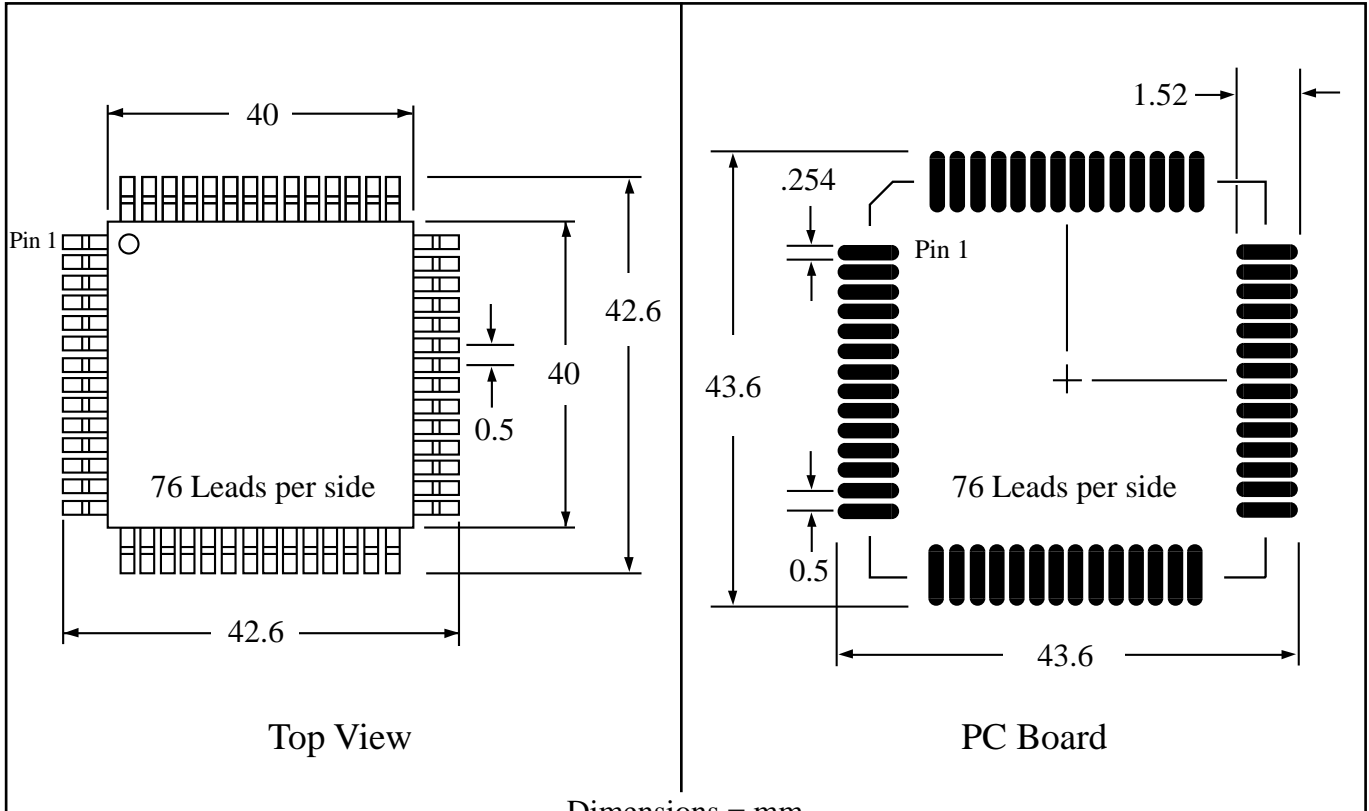


Part # **QFP304T19.7-2.6**  
 Leads **304** Pitch **0.5mm**  
 Body Size **40mmSQ**

**TopLine**™  
 Tel 1-714-898-3830  
 info@toplinedummy.com

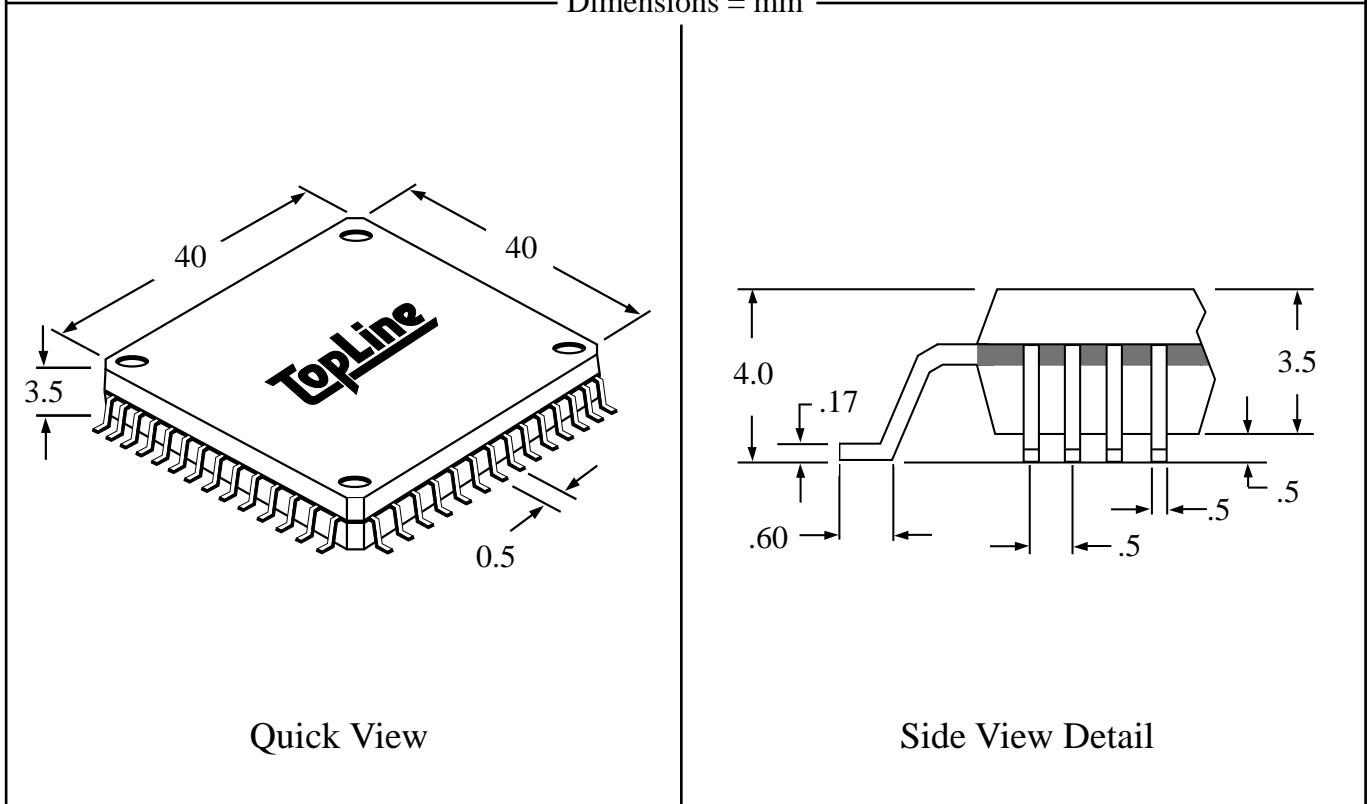
Dwg Q304P526.pdf



Top View

PC Board

Dimensions = mm



Quick View

Side View Detail