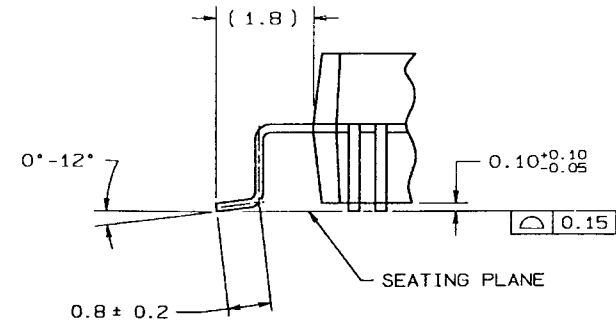
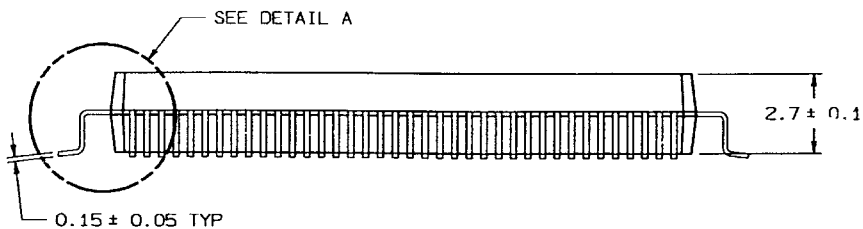
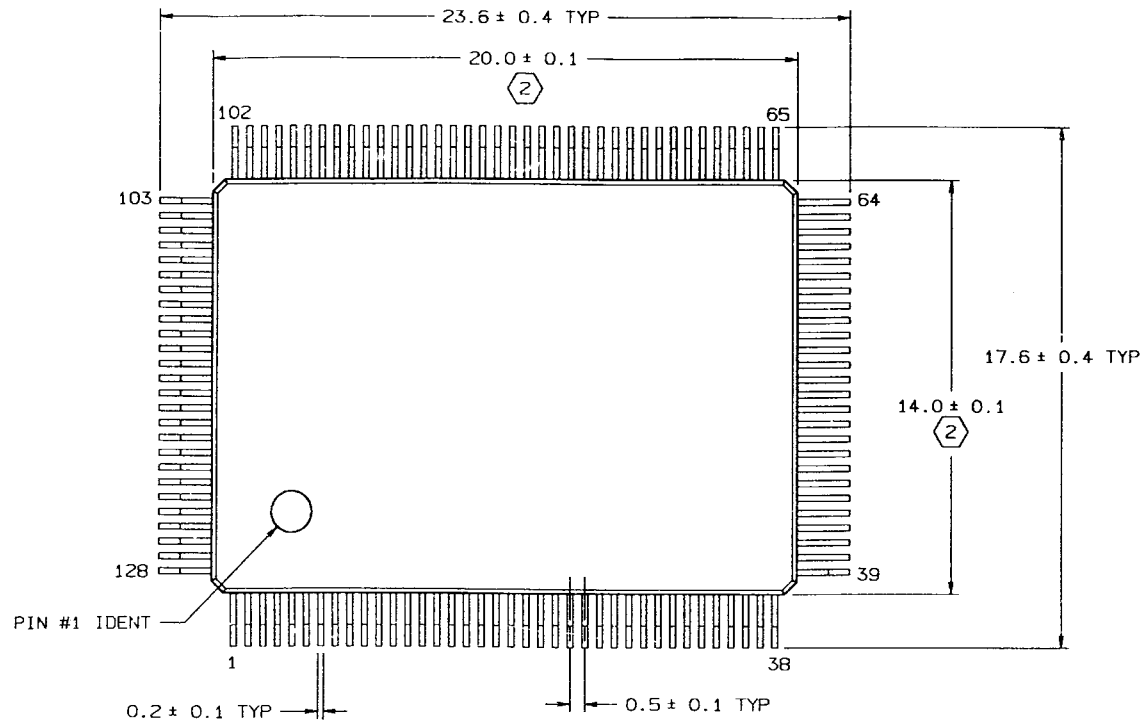


REVISIONS				
LTR	DESCRIPTION	E.C.N.	DATE	BY/APP'D
A	RELEASE TO DOCUMENT CONTROL	09622	05/11/93	MS/HJS



NOTES: UNLESS OTHERWISE SPECIFIED

- STANDARD LEAD FINISH:
5.08 MICROMETERS MINIMUM SOLDER THICKNESS ON ALLOY 42/ COPPER.
- (2) DIMENSION DOES NOT INCLUDE MOLD PROTRUSION.
MAXIMUM ALLOWABLE MOLD PROTRUSION 0.25mm PER SIDE.
- REFERENCE SEIKO EPSON DRAWING QFP5 128PIN-S1.

DIMENSIONS ARE IN MILLIMETERS

APPROVALS	DATE	NATIONAL SEMICONDUCTOR CORPORATION		
DRAWN MARTA SUCHY	05/11/93	2900 Semiconductor Drive, Santa Clara, CA 95052-9090		
DETS. CHK. <i>[Signature]</i>	5/13/93	PQFP, (S), 14 X 20 X 2.7mm, 128 LEAD		
ENGR. CHK. HJS Kim	5/13/93			
APPROVAL		SCALE N/A	SIZE C	DRAWING NUMBER MKT-VLW128A
		DO NOT SCALE DRAWING		REV A
		SHEET 1 OF 1		