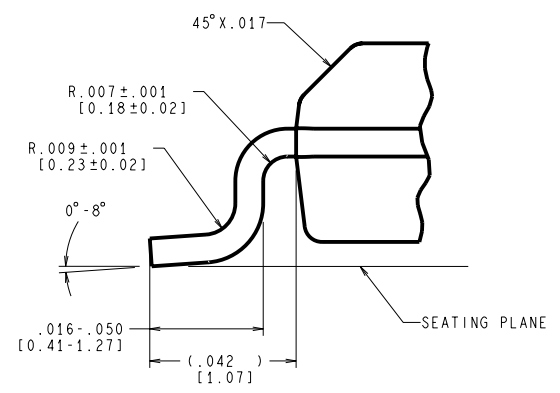
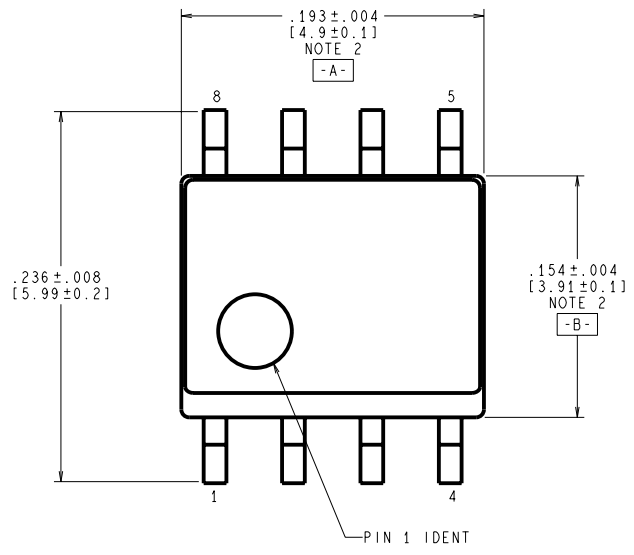
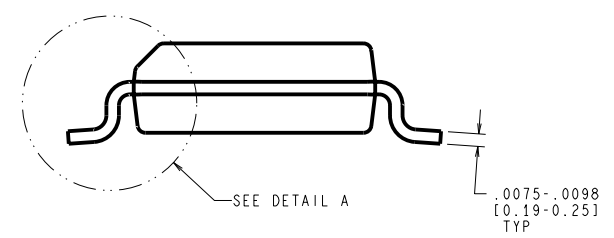
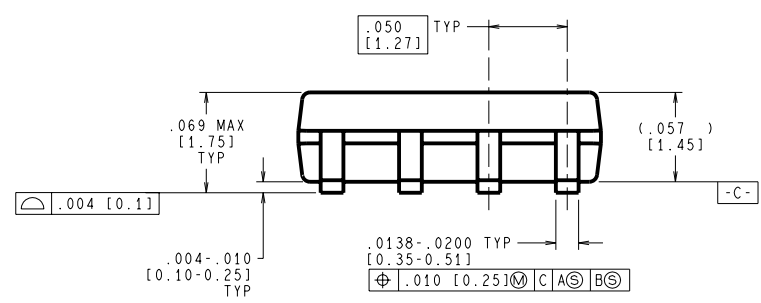


REVISIONS				
LTR	DESCRIPTION	E.C.N.	DATE	BY/APP'D
J	CHGE LD SHAPE FROM TAPER TO SQUARE; REVISE PER CURRENT STD; REDRAW	11246	01/19/96	MS/



DETAIL A
TYPICAL, SCALE: 40X



CONTROLLING DIMENSION IS INCH
VALUES IN [] ARE MILLIMETERS

NOTES: UNLESS OTHERWISE SPECIFIED

- STANDARD LEAD FINISH TO BE 200 MICRONS/ 5.08 MICROMETERS MINIMUM LEAD/TIN(SOLDER) ON COPPER.
- DIMENSION DOES NOT INCLUDE MOLD FLASH.
- REFERENCE JEDEC REGISTRATION MS-012, VARIATION AA, DATED MAY 1990.

APPROVALS		DATE	National Semiconductor		
DRAWN	MARTA SUCHY	01/19/96	2900 Semiconductor dr., Santa Clara, CA 95052-8090		
DFTG. CHK.			MOLDED PACKAGE, SO, .150 WIDE, 8 LEAD		
ENGR. CHK.					
		SCALE	SIZE	DRAWING NUMBER	REV
		N/A	C	MKT-M08A	J
		DO NOT SCALE DRAWING			SHEET 1 of 1